

PRODUCT NAME SS HOTCASE 6 VESSELS SINGLE ROW MODEL

SIZE 72" x 13" x 34"

PRODUCT CODE H6VSR7213

CONTACT 9840848999



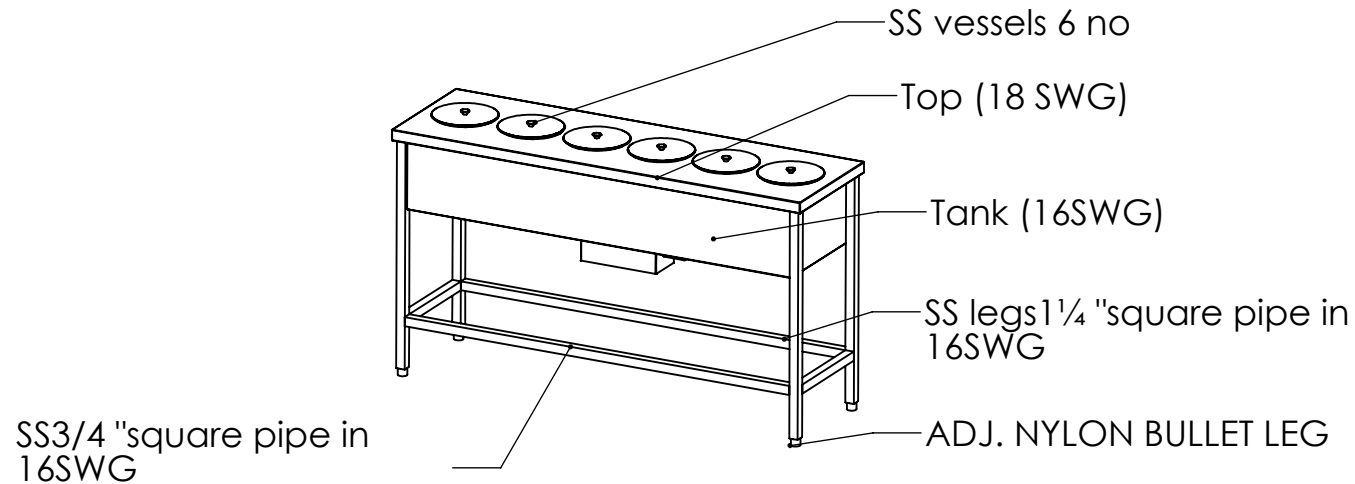
VENUS K EQUIPMENTS

PRODUCED BY AN AUTO CAD
EDUCATIONAL PRODUCT

AVAILABLE SIZES

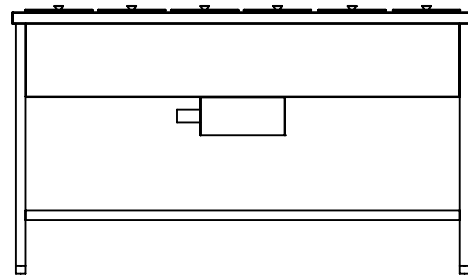
2 Vessel hotcase	25" x 13" x 34"
3 Vessel hotcase	36" x 13" x 34"
4 Vessel hotcase	45" x 13" x 34"
5 Vessel hotcase	60" x 13" x 34"
6 Vessel hotcase	72" x 13" x 34"

ISOMETRIC VIEW

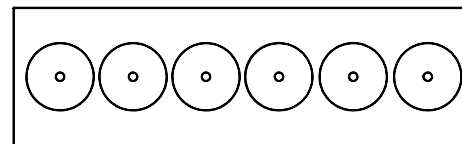


SPECIFICATION

Tank	SS 1.6mm thick sheet (16SWG)
Top	SS 1.2mm thick sheet (18SWG)
Cross pipe	3/4" square pipe
SS legs	1 1/4" square pipe in 16SWG
Power Consumptions	2KW WATER HEATER



FRONT VIEW



SIDE VIEW

It also can be fabricated in any customized size, that suits as per your kitchen requirement.

NOTE : ALL ARE UNITS IN INCHES